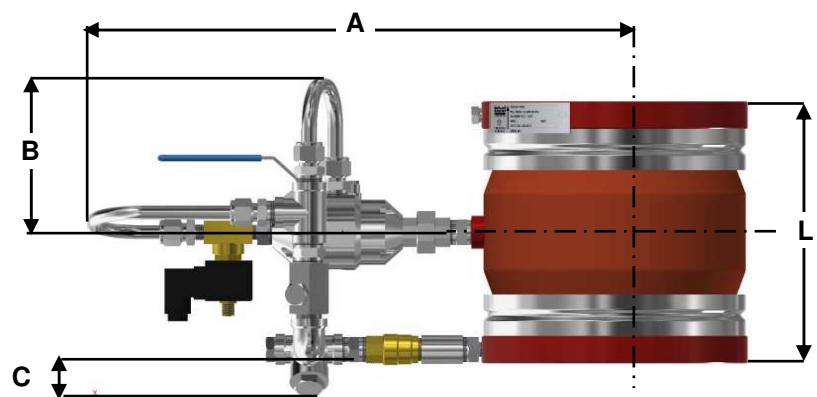
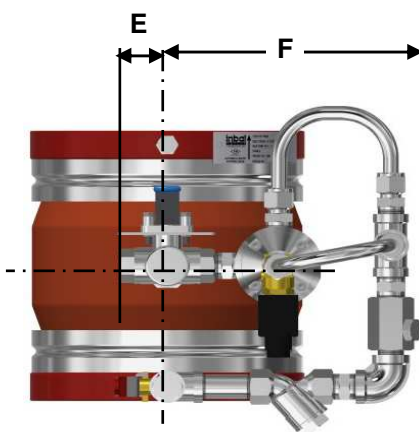


# Vanne Inbal Commande Electrique

PN16

Sandwich

97/23/CE Catégorie III



Ø	A	B	C	E	F	L	Pds kgs
mm							
150	6	440	145	40	45	205	31,0
200	8	470	145	40	45	205	46,0
250	10	495	145	40	45	205	74,0
300	12	510	145	40	45	205	107,0



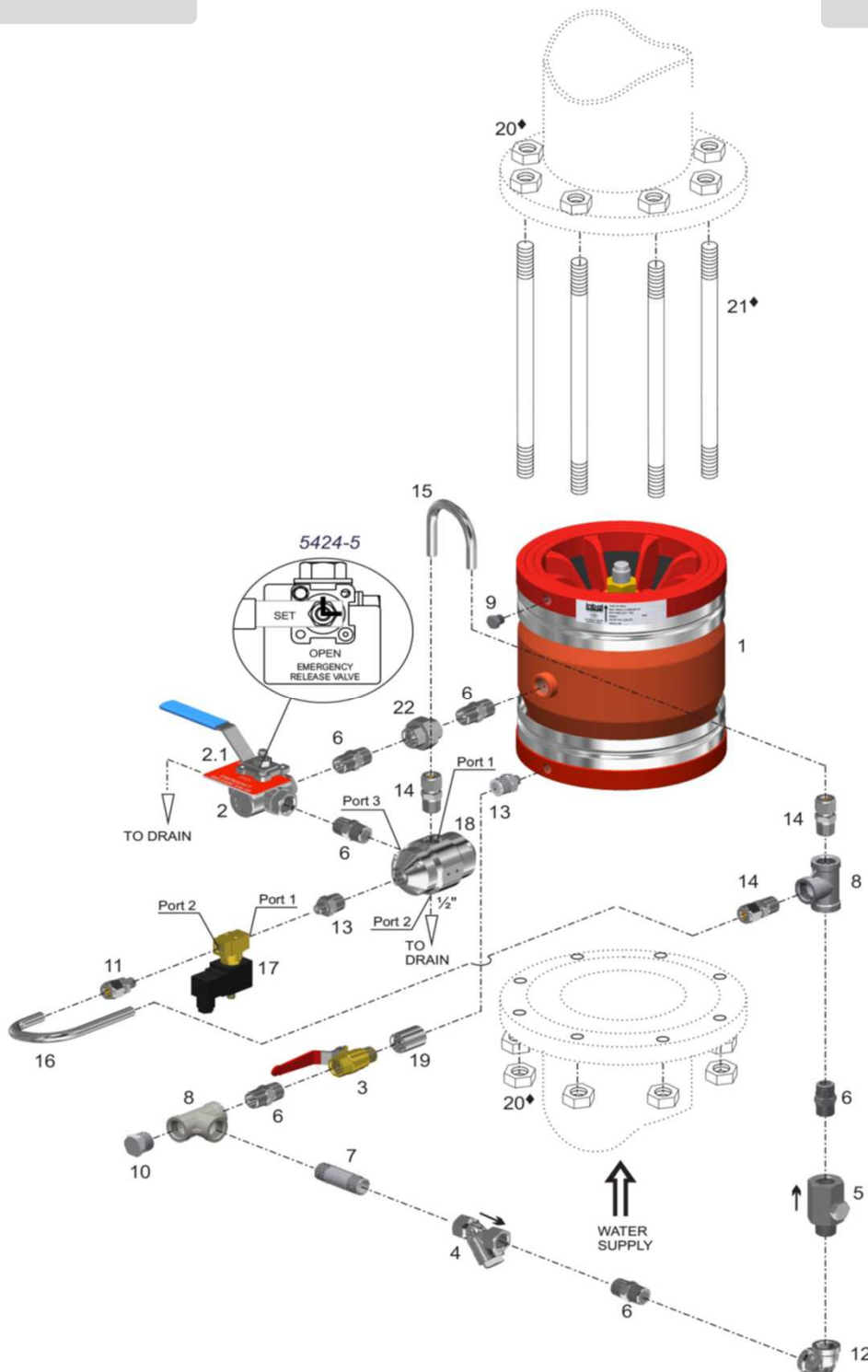
# Vanne Inbal

## Commande Electrique

PN16

Sandwich

97/23/CE Catégorie III



# Vanne Inbal

## Commande Electrique

PN16

Sandwich

97/23/CE Catégorie III

Item	Désignation	Qté	Matière
1	<b>Inbal</b> Automatic Water Control Valve model 799D	1	See bulletin F02-01
2	Emergency Release Valve model 347-08-02	1	See bulletin F40-06
2.1	Label	1	P.V.C.
3	2-Way Ball Valve 1/2", series 351	1	See bulletin F40-08
4	Y-Pattern Strainer 1/2", series 31	1	See bulletin F40-03
5	Check Valve 1/2", series 371, MxF	1	See bulletin F40-12
6	Hex. Nipple 1/2"	6	St.St.304
7	Nipple 1/2", L=2 1/2" (63 mm)	1	St.St.304
8	Tee 1/2"	2	St.St.304
9	Plug 1/4"	1	St.St.304
10	Plug 1/2"	1	St.St.304
11	Twin Ferrules Fitting 1/4" NPT x 1/2" OD	1	Brass, Ni-Cr plated
12	Elbow 1/2"	1	St.St.304
13	Red. Nipple 1/2" x 1/4"	2	St.St.304
14	Twin Ferrules Fitting 1/2" NPT x 1/2" OD	3	Brass, Ni-Cr plated
15	Water Supply Tube 1/2" OD	1	St.St.316
16	Water Supply Tube 1/2" OD	1	St.St.316
17	Solenoid Valve series 152	1	
18	Hydraulic Actuator model 284-08	1	See bulletin F32-06
19	Coupling 1/2"	1	St.St.304
20	Nut	(a)	Galvanized Steel
21	Stud Bolt	(a)	Galvanized Steel
22	Union 1/2" M x F	1	St.St.304